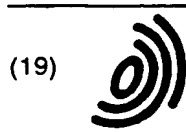


EP 21849 (2)



Europäisches Patentamt  
European Patent Office  
Office européen des brevets



(11) EP 1 063 556 A2

(12) EUROPEAN PATENT APPLICATION

(43) Date of publication:  
27.12.2000 Bulletin 2000/52

(51) Int Cl.7: G02C 7/02

(21) Application number: 99308361.7

(22) Date of filing: 22.10.1999

(84) Designated Contracting States:  
AT BE CH CY DE DK ES FI FR GB GR IE IT LI LU  
MC NL PT SE  
Designated Extension States:  
AL LT LV MK RO SI

(72) Inventors:  
• Menezes, Edgar V.  
Roanoke, VA 24018 (US)  
• Merritt, James S.  
Troutville, VA 24175 (US)  
• Kokonaski, William  
Roanoke, VA 24018 (US)

(30) Priority: 20.05.1999 US 315477

(71) Applicant: JOHNSON & JOHNSON VISION  
PRODUCTS, INC.  
Jacksonville, Florida 32216 (US)

(74) Representative: Mercer, Christopher Paul  
Carpmaels & Ransford  
43, Bloomsbury Square  
London WC1A 2RA (GB)

(54) Methods for producing progressive addition lenses

(57) There is provided a process, for producing a progressive addition lens for a lens wearer, comprising the steps of:

- a) providing an optical preform;
- b) providing a mold for casting a surface onto the optical preform; and
- (c) positioning the preform in relation to the mold in order to provide the resulting lens with a cylinder

axis desired for the lens wearer, wherein:

either the optical preform or the mold has a predetermined first cylinder axis, a predetermined cylinder power and a predetermined first near vision zone position; and

either the mold or the optical preform, respectively, has a second near vision zone position that is aligned with the lens wearer's near viewing pupil location.

EP 1 063 556 A2

**Description**

## Field of the Invention

5 [0001] The present invention relates to multifocal ophthalmic lenses. In particular, the invention provides progressive addition lenses in which unwanted lens astigmatism is reduced without functional compromise of the distance and channel widths through the intermediate and near vision zones, as compared to conventional progressive addition lenses

## 10 Background of the Invention

[0002] The use of ophthalmic lenses for the correction of ametropia is well known. For example, multifocal lenses, such as progressive addition lenses ("PAL's"), are used for the treatment of presbyopia. The surface of a PAL provides far, intermediate and near vision in a gradual, continuous progression of vertically increasing dioptric power from far to near focus or top to bottom of the lens.

15 [0003] PAL's are appealing to the wearer because PAL's are free of the visible ledges between the zones of differing dioptric power that are found in other multifocal lenses, such as bifocals and trifocals. However, an inherent disadvantage in PAL's is unwanted lens astigmatism, or astigmatism introduced or caused by one or more of the lens' surfaces. Generally the unwanted lens astigmatism is located on either side of the near vision zone of the lens and, at or near  
20 its approximate center reaches a maximum level that corresponds approximately to the near vision dioptric add power of the lens

[0004] Generally a PAL with a 2.00 diopter add power and 15 mm channel length will have about a 2.00 diopter maximum localized unwanted astigmatism. The channel width of the lens will be approximately 6 mm in which the unwanted astigmatism is less than or equal to a 0.75 diopter threshold value.

25 [0005] Any number of lens designs have been tried in attempting to either or both reduce unwanted astigmatism or increase the minimum channel width. However, current state-of-the-art progressive addition lenses provide only minimal decreases in unwanted astigmatism while having large areas in the lenses' peripheries that are unusable due to unwanted astigmatism. Thus, a need exists for a PAL that reduces maximum, localized unwanted astigmatism and, at the same time provides an increase in the minimum channel width.

30

## Brief Description of the Drawings

[0006] FIG. 1a is a side view of a lens of the invention.

[0007] FIG. 1b is an astigmatism map of the lens of FIG. 1a

35 [0008] FIG. 2a is a side view of a lens of the invention.

[0009] FIG. 2b is an astigmatism map of the lens of FIG. 2a.

[0010] FIG. 3 is a side view of a lens of the invention.

[0011] FIG. 4a is a side view of the lens of the invention.

[0012] FIG. 4b is an astigmatism map of the lens of FIG. 4a

40 [0013] FIG. 5a is a side view of a lens of the invention.

[0014] FIG. 5b is an astigmatism map of a progressive surface of the lens of FIG. 5a.

[0015] FIG. 5c is an astigmatism map of a progressive surface of the lens of FIG. 5a.

[0016] FIG. 5d is an astigmatism map of the lens of FIG. 5a.

## 45 Description of the Invention and its Preferred Embodiments

[0017] The present invention provides progressive addition lenses, as well as methods for their design and production, in which the maximum, localized unwanted astigmatism that is associated with a given dioptric add power is reduced compared to prior art lenses. Additionally, the distance width, or width about the optical center of the lens that is free of about 0.50 diopters or more of unwanted astigmatism, and minimum channel width of the lens is suitable for use by the lens wearer.

[0018] For purposes of the invention, by "channel" is meant the corridor of vision that is free of astigmatism of about 0.75 diopters or greater when the wearer's eye is scanning from the distance zone to the near zone and back. By "lens" or "lenses" is meant any ophthalmic lens including, without limitation, spectacle lenses, contact lenses, intraocular lenses and the like. Preferably, the lens of the invention is a spectacle lens.

55 [0019] It is one discovery of the invention that maximum, localized astigmatism may be reduced by combining two or more progressive addition surfaces each providing a dioptric add power that combines with that of the other surface or surfaces to produce a lens of a higher dioptric add power than that of the surfaces individually. By "dioptric add

power" is meant the amount of dioptric power difference between the near and far vision zones of a progressive addition surface. The lens of the invention exhibits less maximum, localized unwanted astigmatism and a wider channel than would be expected by producing a lens with the same dioptric add power using only a single progressive addition surface. Further, it is a discovery of the invention that the use of more than one progressive addition surface ensures that the distance dioptric power and the total dioptric add power needed to correct the wearer's vision are uncompromised. It is yet another discovery of the invention that when the progressive surfaces' dioptric add power areas are misaligned with respect to one another, the resultant total maximum, localized unwanted astigmatism of the lens is less than the sum of the maximum, localized unwanted astigmatism contributed by the individual dioptric add powers of each progressive addition surface.

[0020] By "progressive addition surface" is meant a continuous, aspheric surface having far and near vision zones and a zone of increasing dioptric power connecting the far and near vision zones. By "maximum, localized unwanted astigmatism" is meant the highest, measurable level of astigmatism in an area of unwanted astigmatism on a lens surface.

[0021] In one embodiment, the lens of the invention comprises, consists essentially of, and consists of: a.) a first progressive addition surface having one or more areas of maximum, localized unwanted astigmatism and a first dioptric add power; and b.) a second progressive addition surface having one or more areas of maximum, localized unwanted astigmatism and a second dioptric add power, the progressive addition surfaces disposed in relation to each other so that a portion or all of the areas of maximum, localized unwanted astigmatism are misaligned and wherein the dioptric add power of the lens is the sum of the first and second dioptric add powers.

[0022] In another embodiment, the invention provides a process for producing a lens comprising, consisting essentially of, and consisting of the steps of: a.) providing at least a first and a second progressive addition surface, the first progressive addition surface having one or more areas of maximum, localized unwanted astigmatism and a first dioptric add power and the second progressive addition surface having one or more areas of maximum, localized unwanted astigmatism and a second dioptric add power; and b.) disposing the first and second progressive addition surfaces so that a portion or all of the areas of maximum, localized unwanted astigmatism are misaligned and the dioptric add power of the lens is the sum of the first and second dioptric add powers.

[0023] By "misaligned" is meant that the surfaces, and thus the areas of unwanted astigmatism, are arranged or disposed in relation to one another so that a portion or all of the areas of maximum, localized unwanted astigmatism of one surface do not substantially coincide with one or more areas of maximum, localized unwanted astigmatism of the other surface. Preferably, the misalignment is such that no area of maximum, localized unwanted astigmatism of a surface substantially coincides with that of the other surface.

[0024] The progressive addition surfaces used in the lens of the invention may be misaligned by any of a number of methods. For example, the optical centers of the surfaces may be shifted either or both laterally or vertically with respect to each other. By "optical center" is meant the point on a surface intersected by the optical axis of the lens. One ordinarily skilled in the art will recognize that, if the optical centers are shifted laterally, the minimum channel width is reduced by the extent of the shift. Thus, a progressive addition lens design using a lateral shift preferably uses progressive addition surfaces with wider channel widths to compensate for the diminution in channel width caused by the shift.

[0025] Alternatively, if the optical centers of the surfaces are shifted vertically, the channel length will be increased. By "channel length" is meant the distance along the central meridian of the surface between the optical center and the top end of the near vision zone. Thus, a design using such a shift preferably uses progressive addition surfaces with shorter channel lengths in compensation.

[0026] As yet another alternative, maintaining the optical centers of the progressive surfaces coincident with each other, the centers may be rotated with respect to one another. In a preferred embodiment, each surface is designed so that it is asymmetric about the center line of its channel. In this case, the areas of maximum, localized unwanted astigmatism of the surfaces do not substantially coincide on rotation of the optics about an axis joining the surfaces' optical centers. By "asymmetric" is meant that the power and astigmatism maps of the surface are asymmetric about the center meridian of the surface.

[0027] The lateral and vertical shifts are done in such a way as to preserve the distance and near vision dioptric powers of the lens. In order to minimize the introduction of lens prism power, the shifts must occur so that the optical center of one progressive addition surface is shifted along a curve that is parallel to the distance curve of the other progressive addition surface. In the case of rotations, the surfaces are rotated about their optical centers so that the distance and near powers are substantially unaffected. One ordinarily skilled in the art will recognize that the rotational misalignment may be in addition to the misalignment carried out for purposes of reducing unwanted astigmatism.

[0028] The amount of misalignment, or the vertical shift, lateral shift or rotation of optical centers, is an amount sufficient to prevent substantial superposition, or coincidence, of the maximum, localized unwanted astigmatism areas of the progressive addition surfaces. More specifically, it is believed that the misalignment leads to a mismatch of the direction of the astigmatic vectors associated with one surface relative to the corresponding astigmatic vectors of the other surface resulting in the total maximum, localized unwanted astigmatism for the final lens being less than that if

the vectors were aligned. The lateral or vertical shift may be about 0.1 mm to about 10 mm, preferably about 1.0 mm to about 8 mm, more preferably about 2.0 mm to about 4.0 mm. Rotational shifts may be about 1 to about 40 degrees, preferably about 5 to about 30 degrees, more preferably about 10 to about 20 degrees.

**[0029]** As yet another alternative for misalignment, each surface may be designed so that the channel length of the surfaces are of different lengths. In this embodiment, the areas of maximum, localized, unwanted astigmatism of the surfaces do not align when the optical centers of the surfaces are brought into alignment. As a result, the unwanted astigmatism is reduced compared to a lens of the same total dioptric add power. The greater the difference between the channel lengths, the greater will be the reduction in maximum, localized unwanted astigmatism. However, the channel lengths must not be so large as to produce a mismatch in the near vision zones so that the near vision of the lens wearer is compromised. The lens resulting from this embodiment will have a channel length falling between that of each surface and dependent upon the dioptric add power contributed by each surface to the total dioptric add power of the lens. The channel length difference between the surfaces may be about 0.1 mm to about 10 mm, preferably about 1 mm to about 7 mm, more preferably about 2 mm to about 5 mm.

**[0030]** The progressive addition surfaces may each be independently on the convex or concave surface of the lens or in a layer between the outer concave and outer convex surfaces of the lens. Other surfaces, such as spheric and toric surfaces, designed to adapt the lens to the ophthalmic prescription of the lens' wearer may be used in combination with, or in addition to, one or more of the progressive addition surfaces.

**[0031]** For example, one of the progressive addition surfaces, preferably a concave surface, may be combined with a toric surface to provide a toric progressive surface having a dioptric add power and a cylinder power at a particular axis. In the case of a concave, toric progressive surface, the convex surface preferably is a non-toric surface.

**[0032]** In order to both provide the desired dioptric add power and correct for the lens wearer's astigmatism, each of the surfaces' near vision zones may be aligned with the wearer's pupil location during near viewing and the cylinder axis of the toric progressive surface placed so as to correspond to the wearer's prescription. However, this method necessitates that a toric progressive surface be provided at each of the possible 180 degree cylinder axes orientations to provide a full prescriptive range of lenses. It is yet another discovery of this invention that the dioptric add power decreases slowly moving horizontally away from the center of the near vision zone to the surface's periphery. Given this fact, a rotational misalignment of the surfaces' near vision zones of about + or - about 1 to about 25, preferably + or - about 1 to about 15, more preferably + or - about 1 to about 13 degrees may be used while achieving the desired lens dioptric add power. This discovery permits limiting the number of cylinder axis and near vision zone positions used so that a toric progressive surface need not be provided at each cylinder axis degree.

**[0033]** More specifically, a preferred process for producing a lens with a toric progressive surface is as follows. An optical preform is selected, the preform having a concave surface with a predetermined cylinder power, predetermined cylinder axis, and predetermined near vision zone location. By "optical preform" or "preform" is meant a shaped, optically transparent article capable of refracting light and possessing a convex and a concave surface, which article is suitable for use in producing a spectacle lens. The cylinder power preferably is the power required by the lens wearer. The predetermined cylinder axis may be any cylinder axis, but preferably is within a set number of degrees of the lens wearer's required cylinder axis. The preform cylinder axis may be within about 0 to about 25 degrees, preferably about 0 to about 20 degrees, more preferably about 0 to about 11 degrees of the required cylinder axis desired for the lens' wearer. Preferably, the cylinder axis orientation selected is one of a group of orientations that is less than the 180 possible orientations, more preferably the axis being one of a group of about 20 orientations, most preferably the orientation is +11.25, +33.75, +56.25, +78.75, +101.25, +123.75, +146.25, and +168.75 degrees relative to the three o'clock position on the preform.

**[0034]** The preform's concave surface near vision zone may be provided at any convenient position, but preferably is located so that its center is along the 270 degree axis of the preform. In a more preferred embodiment, preform cylinder axes are provided at +11.25, +33.75, +56.25, +78.75, +101.25, +123.75, +146.25, or +168.75 degrees relative to the three o'clock position on the preform and the near vision zone center is located along the 270 degree axis, the six o'clock position.

**[0035]** A convex surface is provided for the lens by using a mold suitable for casting the surface onto the preform. Preferably, the mold is suitable for the casting of a progressive surface. The mold near vision zone may be provided at any convenient position but preferably is at a position that is aligned with the near viewing pupil position of the lens wearer. Typically, this position will be on either side of the 270 degree axis, the 6 o'clock position, of the mold depending on whether the left or right lens is being fabricated. Preferably, the position is within about 0 to about 20, more preferably about 5 to about 15, most preferably about 8 to about 10 degrees on either side of the 270 degree axis.

**[0036]** The selected preform is positioned, or rotated, in relation to the mold selected so that the cylinder axis of the resulting lens will be that required by the lens wearer. For example, if the lens wearer's required cylinder axis is 180 degrees for the left eye and the optical preform cylinder power is at the 11.25 degree axis, with the near vision zone at 270 degrees, the preform is rotated so that its cylinder axis falls along the mold's 180 degree axis. This aligns the cylinder axis of the preform to the wearer's required cylinder axis. It will be recognized that the rotation of the preform

in relation to the mold also produces a rotational misalignment of the preform and mold near vision zones. However, this rotational misalignment is tolerable up to about + or - 25 degrees for purposes of achieving the desired lens dioptric add power.

[0037] Thus, in yet another embodiment, the invention provides a process for producing a progressive addition lens for a lens wearer, and lenses produced by the process, comprising, consisting essentially of and consisting of: a.) providing an optical preform comprising at least one surface having a predetermined first cylinder axis, a predetermined cylinder power, and a predetermined first near vision zone position; b.) providing a mold for casting a surface onto the optical preform, the mold comprising a second near vision zone position that is aligned with the lens wearer's near viewing pupil location; and c.) positioning the preform in relation to the mold in order to provide the resulting lens with a cylinder axis desired for the lens wearer.

[0038] In an alternative embodiment of the process, an optical preform is provided with at least one surface, preferably the convex surface, having a near vision zone, preferably a progressive addition surface. The near vision zone of this surface is aligned with the lens wearer's near viewing pupil location. A mold suitable for casting a toric surface onto the preform is used, the mold having a predetermined cylinder axis, cylinder power, and near vision zone location as above-described. Thus, in an alternative embodiment, a process is provided for producing a progressive addition lens for a lens wearer, and lenses produced by the process, comprising, consisting essentially of and consisting of: a.) providing an optical preform comprising at least one surface having a first near vision zone position that is aligned with the lens wearer's near viewing pupil location; b.) providing a mold for casting a surface onto the optical preform, the mold comprising a predetermined first cylinder axis, predetermined a cylinder power, and a predetermined second near vision zone position; and c.) positioning the preform in relation to the mold in order to provide the resulting lens with a cylinder axis desired for the lens wearer.

[0039] One ordinarily skilled in the art will recognize that any number of a wide variety of predetermined cylinder axes and near vision zone placements may be used. However, it is preferred that the predetermined cylinder axes and near vision zone placements be selected from those shown on Table 1 for the listed lens cylinder axis prescription requirements.

Table 1

Cylinder Axis (°); Near Vision Zone Location	Left Lens Cylinder Axis Required (°)	Right Lens Cylinder Axis Required (°)
11.25; 270 degrees	1 - 14 and 173 - 180	8 - 30
33.75; 270 degrees	15 - 37	31 - 53
56.25; 270 degrees	38 - 59	54 - 75
78.75; 270 degrees	60 - 82	76 - 98
101.25; 270 degrees	83 - 104	99 - 120
123.75; 270 degrees	105 - 127	121 - 143
146.25; 270 degrees	128 - 149	144 - 165
168.75; 270 degrees	150 - 172	166 - 180 and 1 - 7

[0040] For the lenses and processes of the invention, the dioptric add power of each of the progressive addition surfaces used in the invention is selected so that the sum of their dioptric add powers is substantially equal to the value needed to correct the lens wearer's near vision acuity. Additionally, the dioptric add power of each surface is selected in view of the maximum, localized unwanted astigmatism associated with a given near dioptric power. The dioptric add power of the progressive addition surfaces may be each independently from about + 0.01 diopters to about +3.00 diopters, preferably from about +0.25 diopters to about +2.00 diopters, more preferably about +0.50 to about +1.50 diopters.

[0041] Similarly, the distance and near dioptric powers for each surface are selected so that the sum of the powers is the value needed to correct the wearer's distance and near vision. Generally, the distance dioptric power for each surface will be within the range of about 0.25 diopters to about 8.50 diopters. Preferably, the dioptric power of the distance zone of the concave surface may be + or - about 2.00 to about 5.50 diopters and for the convex surface, + or - about 0.5 to about 8.00 diopters. The near vision dioptric power for each of the surfaces will be about 1.00 diopters to about 12.00 diopters. In those embodiments in which a cylinder power is used, the cylinder power may be about -0.125 to about -6.00 diopters, preferably about -0.25 to about -3.00 diopters.

[0042] The progressive addition surfaces and lenses of the invention may be formed by any convenient method such as, without limitation, thermoforming, molding, grinding, casting or the like. In a preferred method, an optical preform

having a progressive addition surface is used and a second progressive addition surface is cast onto the preform. In a more preferred method, a preform the concave surface of which is a progressive addition surface with a base spherical power and a cylinder power is used and a progressive addition surface is formed on the front surface by any convenient method, preferably by casting and more preferably by surface casting.

5 [0043] The invention will be clarified further by a consideration of the following, non-limiting examples.

Examples

Example 1

10 [0044] Referring to FIG. 1a, lens 10 of the invention is shown having convex progressive addition surface 11 and concave progressive addition surface 12. Surface 11 has distance zone 13 with a curvature of 6.00 diopters and near zone 18 with a curvature of 7.00 diopters. Surface 12 has distance zone 19 with a curvature of 6.00 diopters and near zone 21 with a curvature of 5.00 diopters. The resulting distance power of the lens is 0.00 diopters and the dioptric add power of the lens is 2.00 diopters, 1.00 diopters contributed by each of surfaces 11 and 12. As shown in FIG. 1a, the convex and concave optical centers 16 and 17, respectively, are shifted with respect to each other by 4.0 mm.

15 [0045] FIG. 1b is an astigmatism map of lens 10 illustrating the misalignment of the surfaces. Areas 22 and 23 are of the unwanted astigmatism for surfaces 11 and 12, respectively. The locations of the maximum, localized astigmatism 14 and 15 do not overlap and, thus, are not additive. The maximum, localized unwanted astigmatism value of 1.90 D for this lens is shown in Table 1 and is significantly lower than the 2.20 D that is found in a conventional PAL of the same near dioptric power.

Table 1

Example	Add Power Front (D)	Add Power Back (D)	Add Power Total (D)	Vertical Shift (mm)	Max. Astigmatism (D)	Max. Astig./Add Ratio
Prior Art	2.00	0.00	2.00	0.0	2.20	1.10
1	1.05	1.05	2.10	4.0	1.90	0.90
2	1.05	1.05	2.10	8.0	1.90	0.90

Example 2

35 [0046] A lens with two progressive addition surfaces is used, the misalignment for which is 8.00 mm. The misalignment results in a reduction of maximum localized unwanted astigmatism of 0.30 D compared to the prior art Lens of Table 1.

Example 3

40 [0047] As shown in FIGs. 2a and 2b, lens 20 with a concave progressive addition surface 25 is seen. Surface 25 has distance and near zone curvatures of 6.00 and 5.00 diopters, respectively. Convex surface 24 with distance and near zone curvatures of 6.00 and 7.00 diopters is also shown. The optical center 27 of surface 25 is rotated by  $\alpha$ , an amount of 10 degrees, with respect to that of optical center 26 of convex progressive surface 24. In FIG. 2b, the astigmatism map of lens 20 is shown. Areas 31 and 32 depict the areas of unwanted astigmatism for surfaces 24 and 25, respectively. Maximum, localized unwanted astigmatism areas 28 and 29 for surfaces 24 and 25, respectively, are also shown. Table 2 shows that the resulting lens has a maximum, localized unwanted astigmatism of 1.90 diopters as compared to 2.10 diopters for a prior art lens.

Table 2

Example	Add Power Front (D)	Add Power Back (D)	Add Power Total (D)	Rotational Shift (deg.)	Max. Astigmatism (D)	Max. Astig./Add Ratio
Prior Art	2.00	0.00	2.00	0.0	2.20	1.10
3	1.00	1.00	1.90	10.0	1.90	1.00
4	1.00	1.00	1.95	20.0	1.85	0.95

EP 1 063 556 A2

Table 2 (continued)

Example	Add Power Front (D)	Add Power Back (D)	Add Power Total (D)	Rotational Shift (deg.)	Max. Astigmatism (D)	Max. Astig./Add Ratio
5	1.00	1.00	1.85	30.0	1.75	0.95
6	1.00	1.00	1.85	40.0	1.41	0.76

5

10 Examples 4 - 6

[0048] The concave progressive addition surface of a lens is rotated around its optical center by 20, 30, and 40 degrees with respect to the convex progressive addition surface. The rotations result in maximum, localized unwanted astigmatism of 1.85, 1.75, and 1.41 diopters, respectively as listed on Table 2.

15

Example 7

[0049] FIG. 3 depicts a concave progressive addition surface 34 placed between surfaces 33 and 35 of lens 30. Lens 30 is made of an optical preform 38 having a refractive index of 1.60 and a cast layer 39 having a refractive index of 1.50. Convex surface 33 of preform 38 has optical center 36, a distance curvature of 6.50 diopters and a near curvature of 8.50 diopters. Concave surface 34 of preform 38 has optical center 37, a distance curvature ("DC") of 6.50 diopters and a near curvature ("NC") of 0.50 diopters derived by the formula:

20

25

$$NC = DC - \text{add power} \times \frac{n_1 - 1.00}{n_1 - n_2}$$

wherein  $n_1$  is the refractive index of optical preform 38 and  $n_2$  is the refractive index of layer 39. Optical center 37 is shifted vertically downwards 4 mm with respect to optical center 36. Concave surface 35 of layer 39 includes a cylindrical power of -2.00 D for correcting the wearer's astigmatism. Lens 30 has a distance power of 0.00 diopters, a total dioptric add power of 3.00 diopters, arrived at by the 2.00 diopter dioptric add power of surface 33 and the 1.00 diopters dioptric add power of surface 34 combined. The maximum, localized unwanted astigmatism is lower than that of a conventional lens with a 3.00 diopters dioptric add power.

30

35 Example 8

[0050] In FIG. 4a is depicted lens 50 having convex surface 51 and concave surface 52. Surface 51 is a progressive addition surface with optical center 53. Surface 52 is a combination progressive addition-toric surface having optical center 54 shifted vertically downwards 4 mm with respect to optical center 53. FIG. 4b depicts the astigmatism map for lens 50 showing the shift. Areas 55 and 56 are the areas of unwanted astigmatism, 57 and 58 being their respective maximum, localized unwanted astigmatism areas respectively, for surfaces 51 and 52. I-I is the toric axis for surface 52. The overlap of the progressive addition surfaces are such that, although the near and distance vision zones are preserved, the location of the maximum, localized unwanted astigmatism 57 and 58 of each surface do not coincide and, thus, their effect is not additive.

45

Example 9

[0051] Lens 60 is depicted in FIG. 5a in which a left oriented, convex progressive addition surface 61 shown combined with a right oriented, concave progressive addition surface 62. Each surface is depicted individually in FIGs. 5b and 5c, respectively. Optical centers 63 and 64 of each surface are rotated so as to become optically aligned. In FIG. 5d is depicted that the left and right orientation of the surfaces provides misalignment of the unwanted astigmatism areas 65 and 66 of surfaces 61 and 62, respectively. The maximum, localized unwanted astigmatism for lens 60 of 1.70 diopters listed on Table 3.

50

55

Table 3

Example	Add Power Front (D)	Add Power Back (D)	Add Power Total (D)	Max. Astigmatism (D)	Max. Astig./Add Ratio
Prior Art	2.02	0.00	2.02	2.20	1.10
9	1.00L	1.00R	2.10	1.70	0.81

## Example 10

**[0052]** An optical preform is produced containing a spherical, convex surface with a curvature of 6.00 diopters. The preform concave surface is a toric-progressive surface with a base spherical curvature of 6.00 diopters, a cylinder power of -2.00 diopters at an axis of 11.25 degrees, and near vision zone with a dioptric add power of 1.00 diopters. The near vision zone is centered along the 270 degree axis of the preform. A progressive addition glass mold for a left lens is provided to surface cast a UV curable resin layer onto the convex surface of the preform using conventional surface casting techniques. The mold has a 6.00 diopter base curvature and a 1.00 dioptric add power with the near vision zone along the 262 degree axis of the mold (8 degrees counterclockwise from the vertical). The preform is rotated counterclockwise, relative to the glass mold 11.25 degrees so that the cylinder axis falls at the mold's 0 degrees axis, the axis desired for the lens. The rotational misalignment of the concave surface and convex surface near vision zones will be  $11.25 - 8 = 3.25$  degrees. The resultant lens has a distance power of 0.00 diopters, a cylinder power of -2.00 diopters at 0 degree axis, and a dioptric add power of 2.00 diopters.

## Claims

1. A process, for producing a progressive addition lens for a lens wearer, comprising the steps of:

- a) providing an optical preform,
- b) providing a mold for casting a surface onto the optical preform; and
- (c) positioning the preform in relation to the mold in order to provide the resulting lens with a cylinder axis desired for the lens wearer, wherein:

either the optical preform or the mold has a predetermined first cylinder axis, a predetermined cylinder power and a predetermined first near vision zone position; and either the mold or the optical preform, respectively, has a second near vision zone position that is aligned with the lens wearer's near viewing pupil location.

2. The process of claim 1, wherein said first near vision zone position is on a concave surface of said preform and the casting takes place onto the convex surface of said preform.
3. The process of claim 1, wherein said first near vision zone position is on said mold and said second near vision zone position is on a convex surface of said preform.
4. The process of any one of claims 1 to 3, wherein the mold is a mold suitable for casting a progressive addition surface onto the preform.
5. The process of any one of claims 1 to 4, wherein the cylinder axis is within 0 to 25 degrees, preferably about 11 degrees, of the lens' wearer's cylinder axis.
6. The process of any one of claims 1 to 6, wherein the first near vision zone is located so that its center is along the 270 degree axis of the preform.
7. The process of any one of claims 1 to 6, wherein the first cylinder axis is one of a group that is less than the 180 possible axis orientations.
8. The process of claim 7, wherein the first cylinder axis is one of a group of about 20 possible axis orientations.
9. The process of any one of claims 1 to 8, wherein the cylinder axis is provided at one of +11.25, +33.75, +56.25,



EP 1 063 556 A2

+78.75, +101.25, +123.75, +146.25, or +168.75 degrees relative to the three o'clock position on the optical preform.

10. The process of any one of claims 1 to 9, wherein the first near vision zone center is located along the 270 degree axis of the optical preform.

5

11. The process of any one of claims 1 to 10, wherein the second near vision zone is at a position that is on either side of the 270 degree axis of the mold.

12. The process of claim 11, wherein the second near vision zone position is within 0 to 20 degrees of the 270 degree axis.

10

15

20

25

30

35

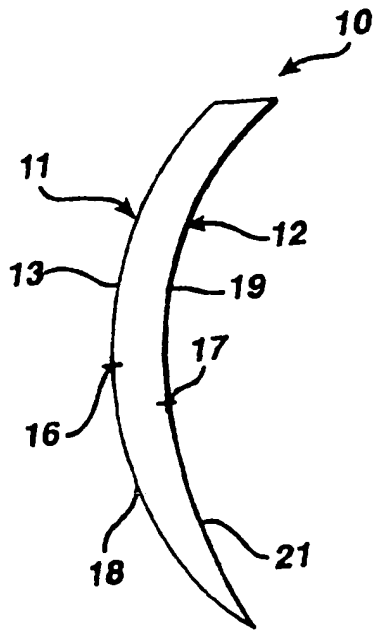
40

45

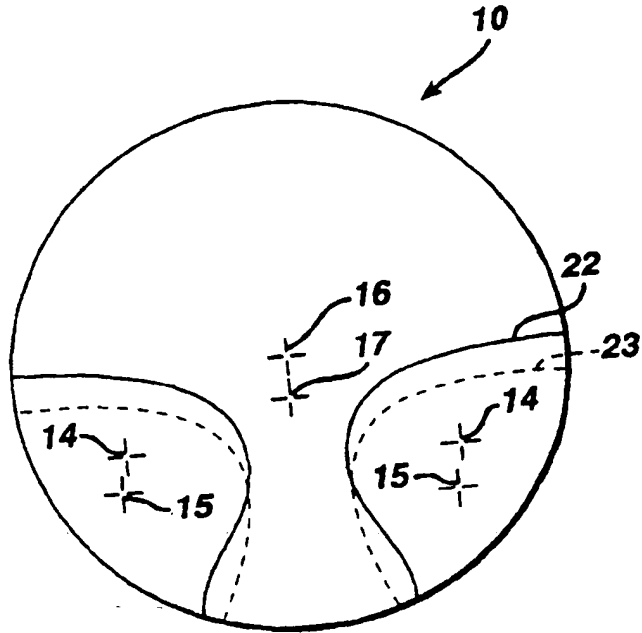
50

55

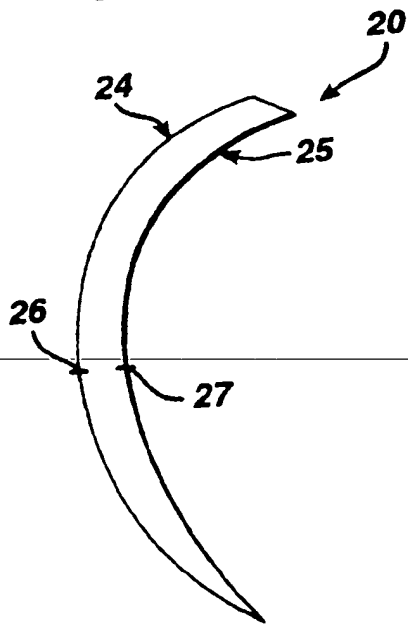
**FIG. 1a**



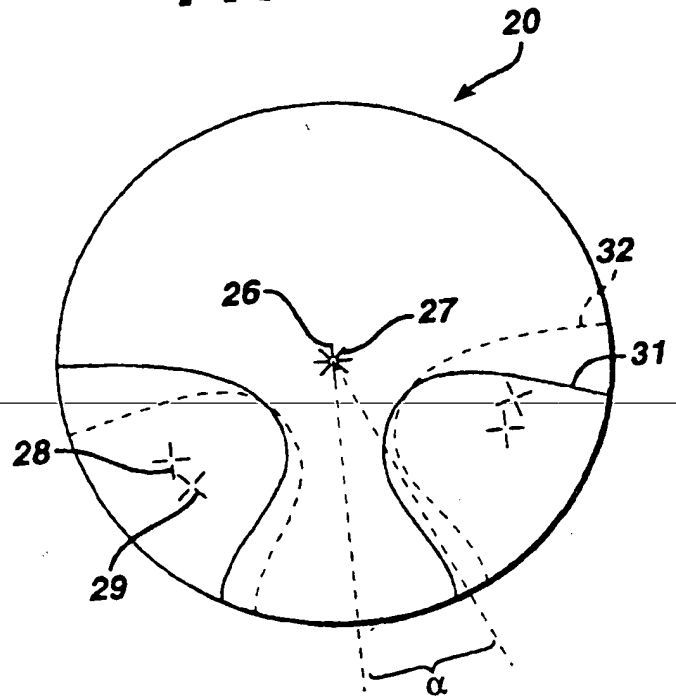
**FIG. 1b**



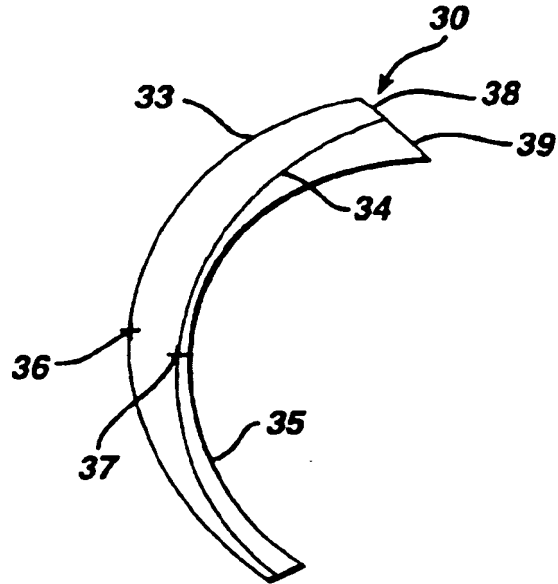
**FIG. 2a**



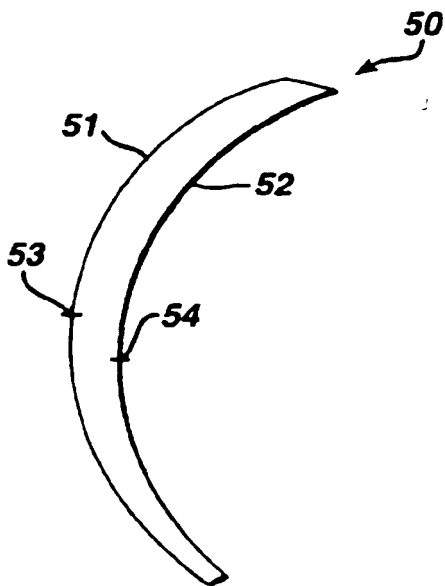
**FIG. 2b**



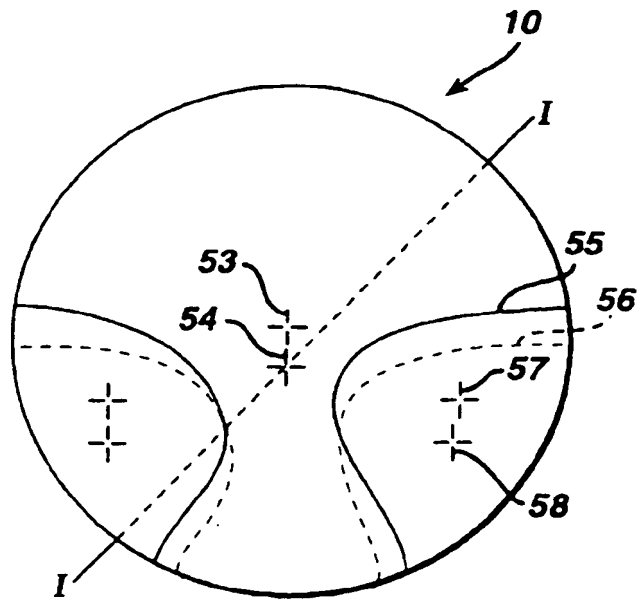
**FIG. 3**



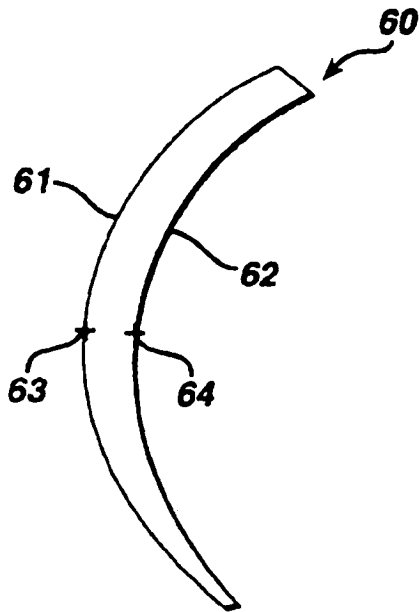
**FIG. 4a**



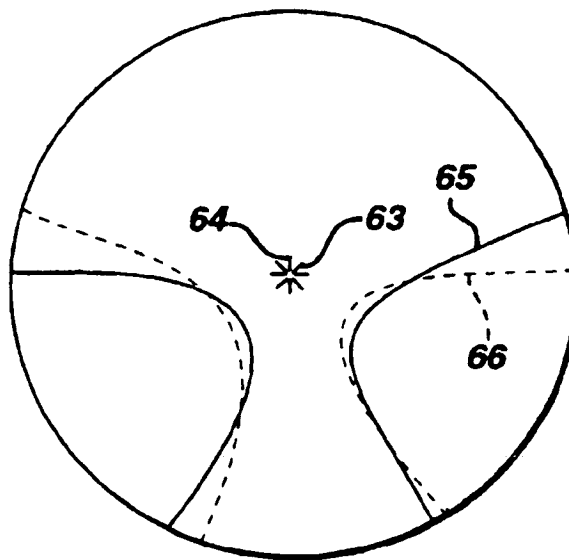
**FIG. 4b**



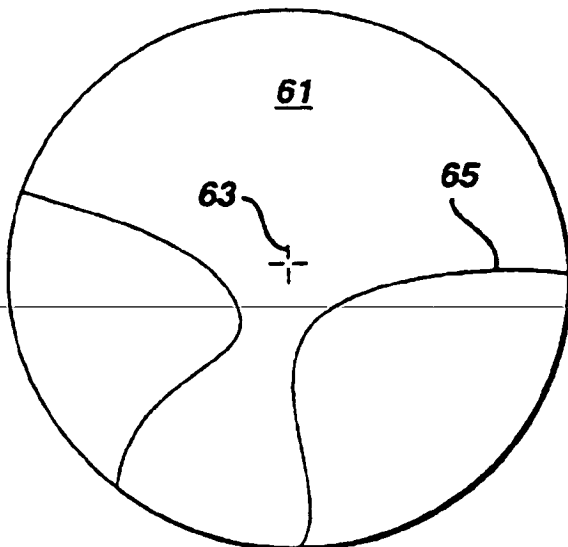
**FIG. 5a**



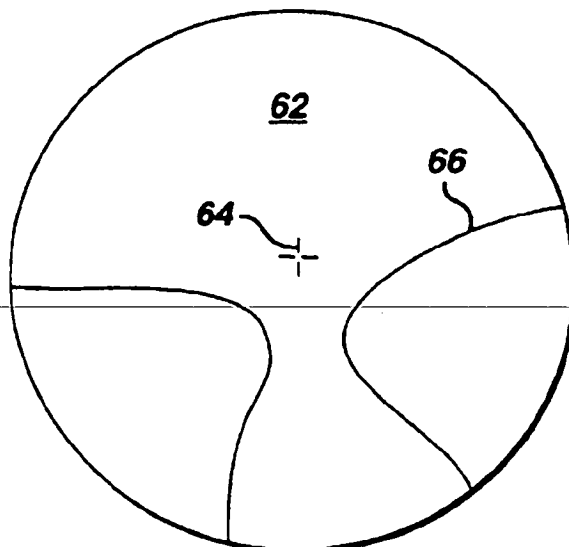
**FIG. 5d**



**FIG. 5b**



**FIG. 5c**



(19)



Europäisches Patentamt  
European Patent Office  
Office européen des brevets



(11)

**EP 1 063 556 A3**

(12)

**EUROPEAN PATENT APPLICATION**

(88) Date of publication A3:  
07.08.2002 Bulletin 2002/32

(51) Int Cl.7: **G02C 7/02**

(43) Date of publication A2:  
27.12.2000 Bulletin 2000/52

(21) Application number: **99308361.7**

(22) Date of filing **22.10.1999**

(84) Designated Contracting States:  
**AT BE CH CY DE DK ES FI FR GB GR IE IT LI LU  
MC NL PT SE**  
Designated Extension States:  
**AL LT LV MK RO SI**

(72) Inventors:  
• **Menezes, Edgar V.  
Roanoke, VA 24018 (US)**  
• **Merritt, James S.  
Troutville, VA 24175 (US)**  
• **Kokonaski, William  
Roanoke, VA 24018 (US)**

(30) Priority **20.05.1999 US 315477**

(71) Applicant **JOHNSON & JOHNSON VISION  
PRODUCTS, INC.  
Jacksonville, Florida 32216 (US)**

(74) Representative: **Mercer, Christopher Paul  
Carpmaels & Ransford  
43, Bloomsbury Square  
London WC1A 2RA (GB)**

**(54) Methods for producing progressive addition lenses**

(57) There is provided a process, for producing a progressive addition lens for a lens wearer, comprising the steps of:

- a) providing an optical preform;
- b) providing a mold for casting a surface onto the optical preform; and
- (c) positioning the preform in relation to the mold in order to provide the resulting lens with a cylinder axis desired for the lens wearer, wherein:

either the optical preform or the mold has a predetermined first cylinder axis, a predetermined cylinder power and a predetermined first near vision zone position; and

either the mold or the optical preform, respectively, has a second near vision zone position that is aligned with the lens wearer's near viewing pupil location.

**EP 1 063 556 A3**



DOCUMENTS CONSIDERED TO BE RELEVANT			
Category	Citation of document with indication, where appropriate, of relevant passages	Relevant to claim	CLASSIFICATION OF THE APPLICATION (Int.Cl.7)
A	EP 0 836 110 A (INNOTECH INC) 15 April 1998 (1998-04-15) * column 2, line 55 - column 3, line 38 *	1	G02C7/02
A	US 5 219 497 A (BLUM RONALD D) 15 June 1993 (1993-06-15) * column 3, line 16 - column 4, line 18 *	1	
A	WO 99 13374 A (SOLA INT HOLDINGS ; EDWARDS SIMON JOHN (AU); VARNAS SAULIUS RAYMOND) 18 March 1999 (1999-03-18) * page 10, line 9 - page 12, line 14 *	1	
			TECHNICAL FIELDS SEARCHED (Int.Cl.7)
			G02C
The present search report has been drawn up for all claims			
Place of search		Date of completion of the search	Examiner
THE HAGUE		14 June 2002	Sarneel, A
CATEGORY OF CITED DOCUMENTS			
X : particularly relevant if taken alone Y : particularly relevant if combined with another document of the same category A : technological background O : non-written disclosure P : intermediate document		T : theory or principle underlying the invention I : earlier patent document, but published on, or after the filing date F : document cited in the application L : document cited for other reasons A : member of the same patent family, corresponding document	

EPO FORM 1501 (7/92) (1/14/2001)

ANNEX TO THE EUROPEAN SEARCH REPORT  
ON EUROPEAN PATENT APPLICATION NO.

EP 99 30 8361

This annex lists the patent family members relating to the patent documents cited in the above-mentioned European search report. The members are as contained in the European Patent Office EDP file on The European Patent Office is in no way liable for these particulars which are merely given for the purpose of information.

14-06-2002

Patent document cited in search report		Publication date	Patent family member(s)	Publication date
EP 0836110	A	15-04-1998	US 5793465 A	11-08-1998
			AU 716357 B2	24-02-2000
			AU 3996897 A	23-04-1998
			CA 2217274 A1	08-04-1998
			EP 0836110 A2	15-04-1998
			JP 10202761 A	04-08-1998
			SG 71725 A1	18-04-2000
US 5219497	A	15-06-1993	US 4873029 A	10-10-1989
			US 4919850 A	24-04-1990
			US 5028358 A	02-07-1991
			US 5178800 A	12-01-1993
			US 5147585 A	15-09-1992
			AT 216312 T	15-05-2002
			AU 657371 B2	09-03-1995
			AU 2875592 A	21-05-1993
			BR 9206640 A	07-03-1995
			CA 2121330 A1	29-04-1993
			DE 69232563 D1	23-05-2002
			EP 0610310 A1	17-08-1994
			IL 103464 A	11-11-1994
			JP 7503192 T	06-04-1995
			MX 9206001 A1	01-05-1993
			PL 171114 B1	28-03-1997
			RU 2116891 C1	10-08-1998
			WO 9308016 A1	29-04-1993
			EP 0314417 A2	03-05-1989
			JP 1286809 A	17-11-1989
			JP 2542061 B2	09-10-1996
			AT 140891 T	15-08-1996
			AU 6889791 A	26-06-1991
			CA 2031573 A1	06-06-1991
			CA 2046585 A1	06-06-1991
			DE 69027997 D1	05-09-1996
			DE 69027997 T2	09-01-1997
			DK 507785 T3	09-12-1996
			EP 0457855 A1	27-11-1991
			EP 0507785 A1	14-10-1992
ES 2089180 T3	01-10-1996			
GR 3021388 T3	31-01-1997			
JP 3034950 B2	17-04-2000			
JP 4504087 T	23-07-1992			
WO 9108104 A1	13-06-1991			
WO 9108105 A2	13-06-1991			
WO 9913374	A	18-03-1999	AU 8966198 A	29-03-1999

EPO/ECHM/P05/99

For more details about this annex : see Official Journal of the European Patent Office, No. 12/82

**ANNEX TO THE EUROPEAN SEARCH REPORT  
ON EUROPEAN PATENT APPLICATION NO.**

EP 99 30 8361

This annex lists the patent family members relating to the patent documents cited in the above-mentioned European search report. The members are as contained in the European Patent Office EDP file on  
The European Patent Office is in no way liable for these particulars which are merely given for the purpose of information.

14-06-2002

Patent document cited in search report	Publication date	Patent family member(s)	Publication date
WO 9913374	A	WO 9913374 A1	18-03-1999
		EP 1019779 A1	19-07-2000
		US 6260967 B1	17-07-2001
-----			

For more details about this annex see Official Journal of the European Patent Office, No. 12/82